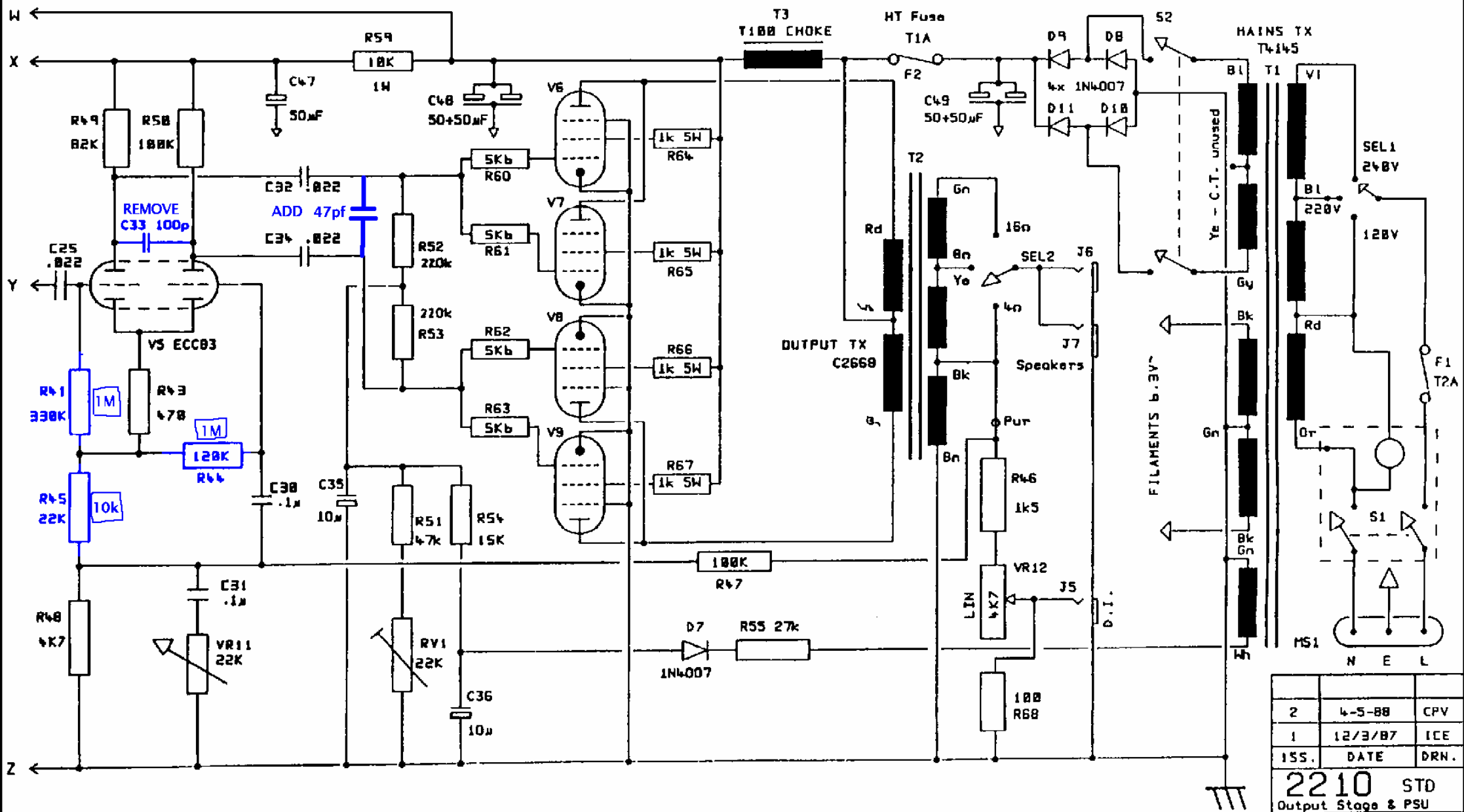


Notes:
 PCB: JMB3
 V1, V2, V3, V4
 ECC83/12AX7
 All pots LOG unless
 stated otherwise

2	10-5-09	CPV
1	6/3/07	ICE
ISS. DATE		DRN.
DRAWING NUMBER		
2210 Preamp		
MARSHALL		
JIM MARSHALL PRODUCTS LTD. BLETCHLEY MILTON KEYNES ENGLAND		
File: 2210PRE.DGM		



2	4-5-88	CPV
1	12/3/87	ICE
ISS.	DATE	DRN.
2210 STD		
Output Stage & PSU		
MARSHALL		
JIM MARSHALL PRODUCTS LTD. BLETCHLEY MILTON KEYNES ENGLAND		
File: 2210PWR.D08		